



CONSOLIDATED SEWING MACHINE CORP.

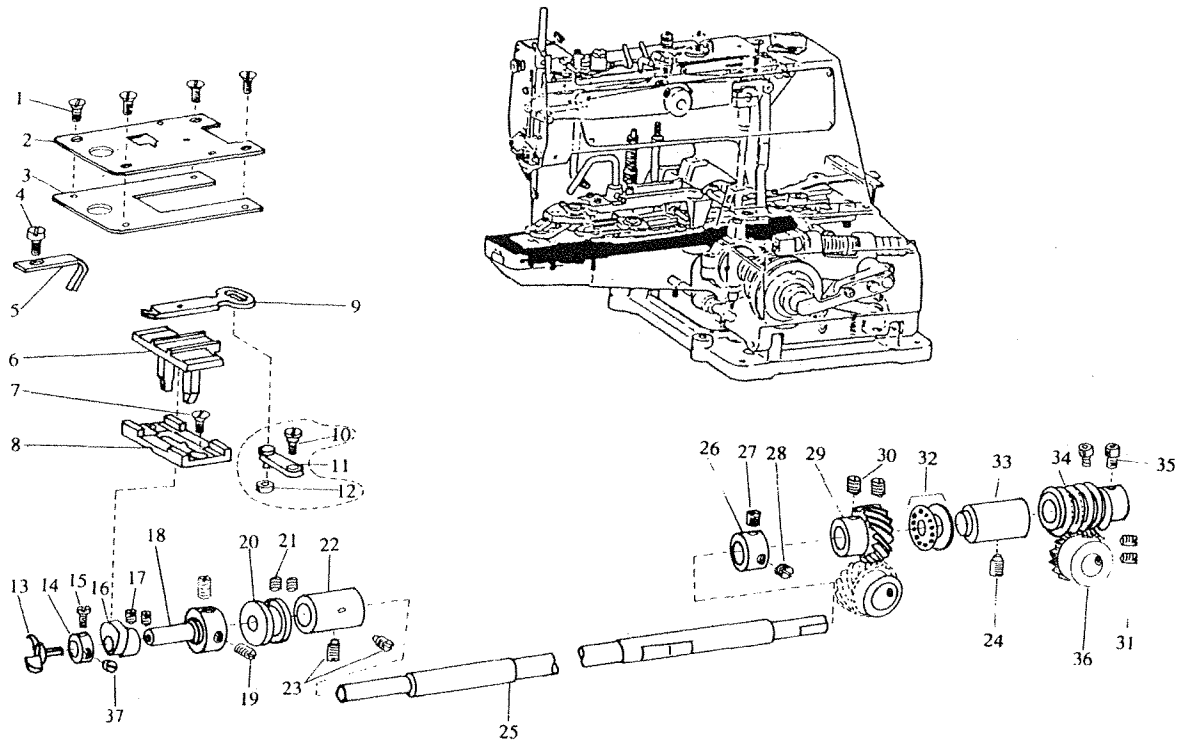
└ INDUSTRIAL SEWING & CUTTING EQUIPMENT

Model

241-1K

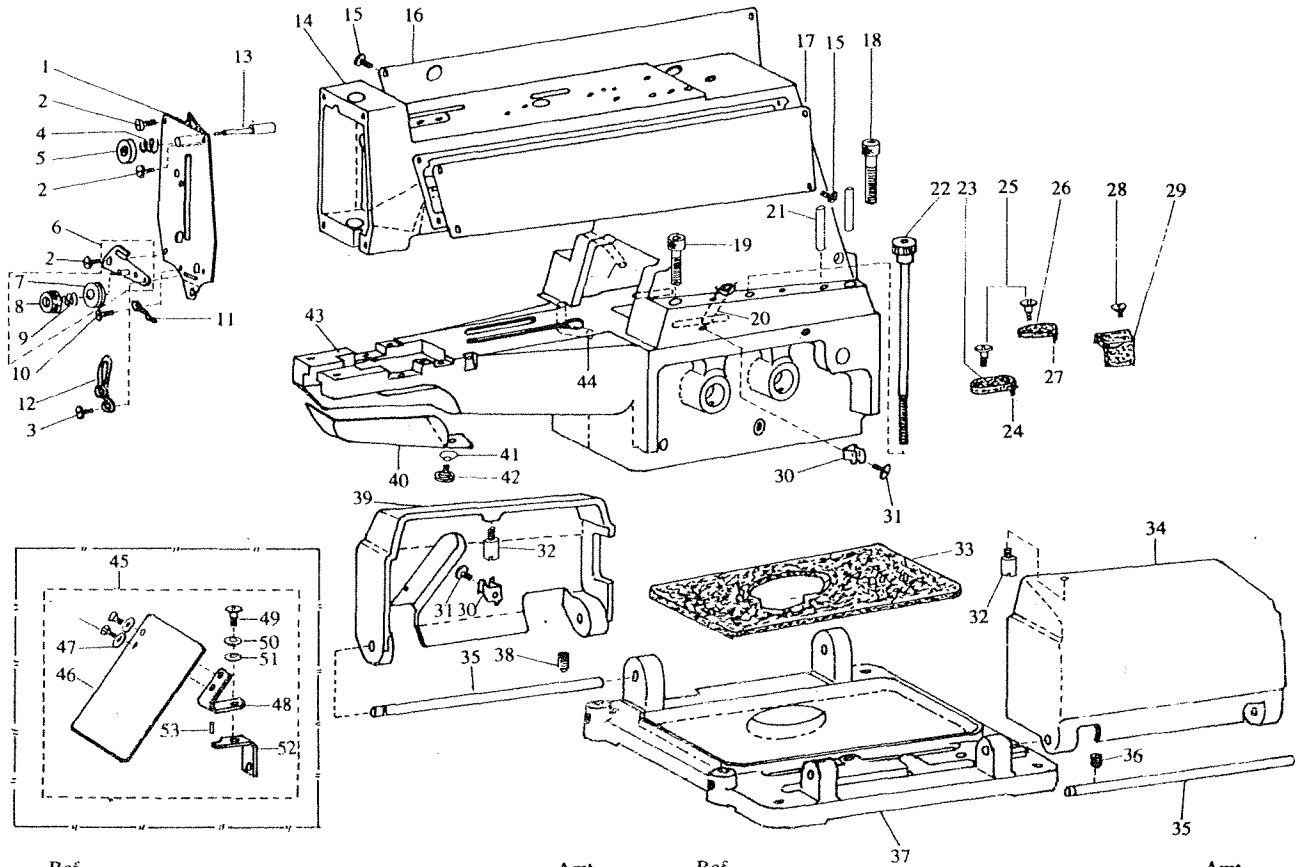
Parts List

1. LOOPER SHAFT MECHANISM COMPONENTS



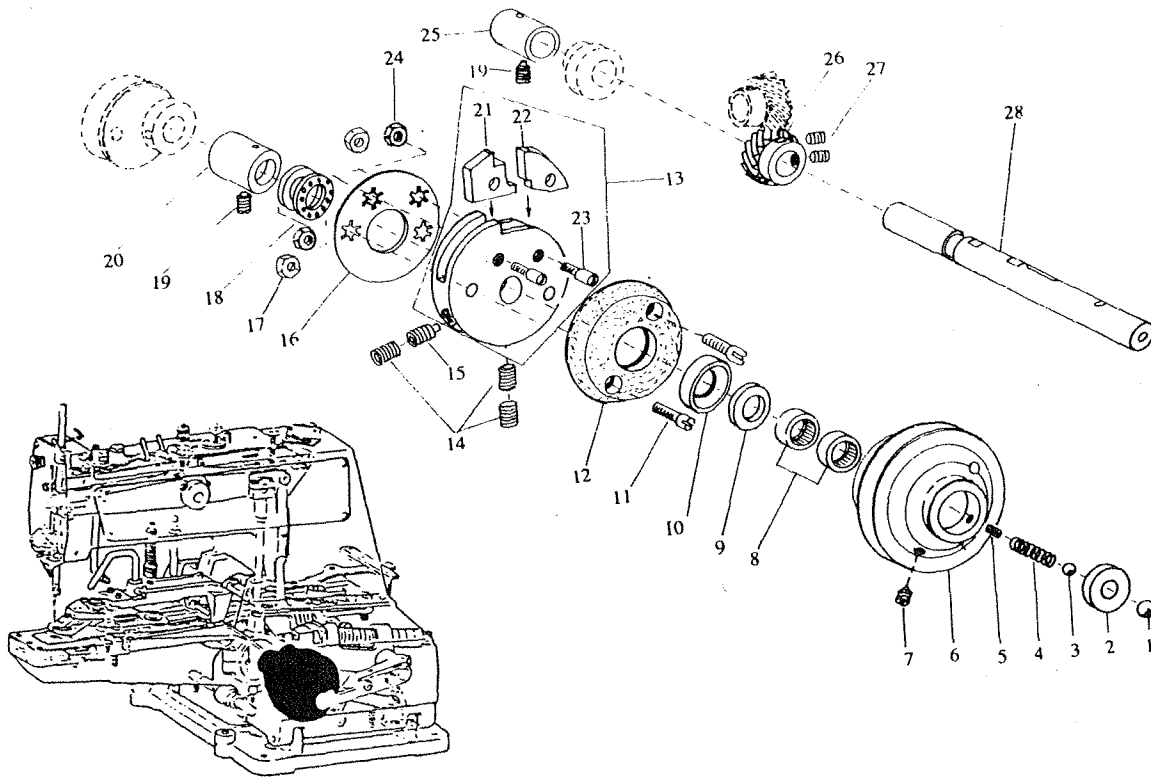
Ref. No.	Part No.	Description	Amt Req.	Ref. No.	Part No.	Description	Amt. Req.
1	B-372-201	Screw, for needle plate	4	22	B-372-222	Looper shaft front bushing	1
* 2	B-372-202	Needle plate	1	23	B-372-223	... Set screw	2
* 3	B-372-203	Spacer plate	1	24	B-372-223	... Set screw	1
4	B-372-204	Screw, for needle guide	1	25	B-372-224	Looper shaft	1
* 5	B-372-205	Needle guide	1	26	B-372-226	Looper shaft collar	1
* 6	B-372-206	Positioning finger yoke slide	1	27	B-372-227	Set screw A.	1
7	B-372-207	Screw, for yoke slide insert	2	28	B-372-228	Set screw B.	1
* 8	B-372-208	Yoke slide insert	1	29	B-372-229	Looper shaft driven gear (B)	1
* 9	B-372-209	Yoke slide	1	30	B-372-228	... Set screw	2
10	B-372-210	Screw, for finger lever	1	31	B-372-228	... Set screw	2
11	B-372-211	Loop positioning finger lever	1	32	B-372-230	Looper shaft ball bearing	1
12	B-372-212	Loop positioning finger lever roll	1	33	B-372-231	Looper shaft rear bushing	1
13	B-372-213	Looper	1	34	B-372-232	Driving worm gear	1
14	B-372-214	Collar	1	35	B-372-233	... Screw	2
15	B-372-215	Clamp screw for looper	1	36	B-372-234	Cam shaft driven gear	1
16	B-372-216	Loop positioning finger cam	1	37	B-372-722	Screw, for collar	1
17	B-372-217	... Screw	2				
18	B-372-218	Cam & looper sleeve	1				
19	B-372-219	... Set screw	2				
20	B-372-220	Loop positioning finger cam, rear	1				
21	B-372-221	... Set screw	2				

2. MACHINE ARM & MISCELLANEOUS COVERS COMPONENTS



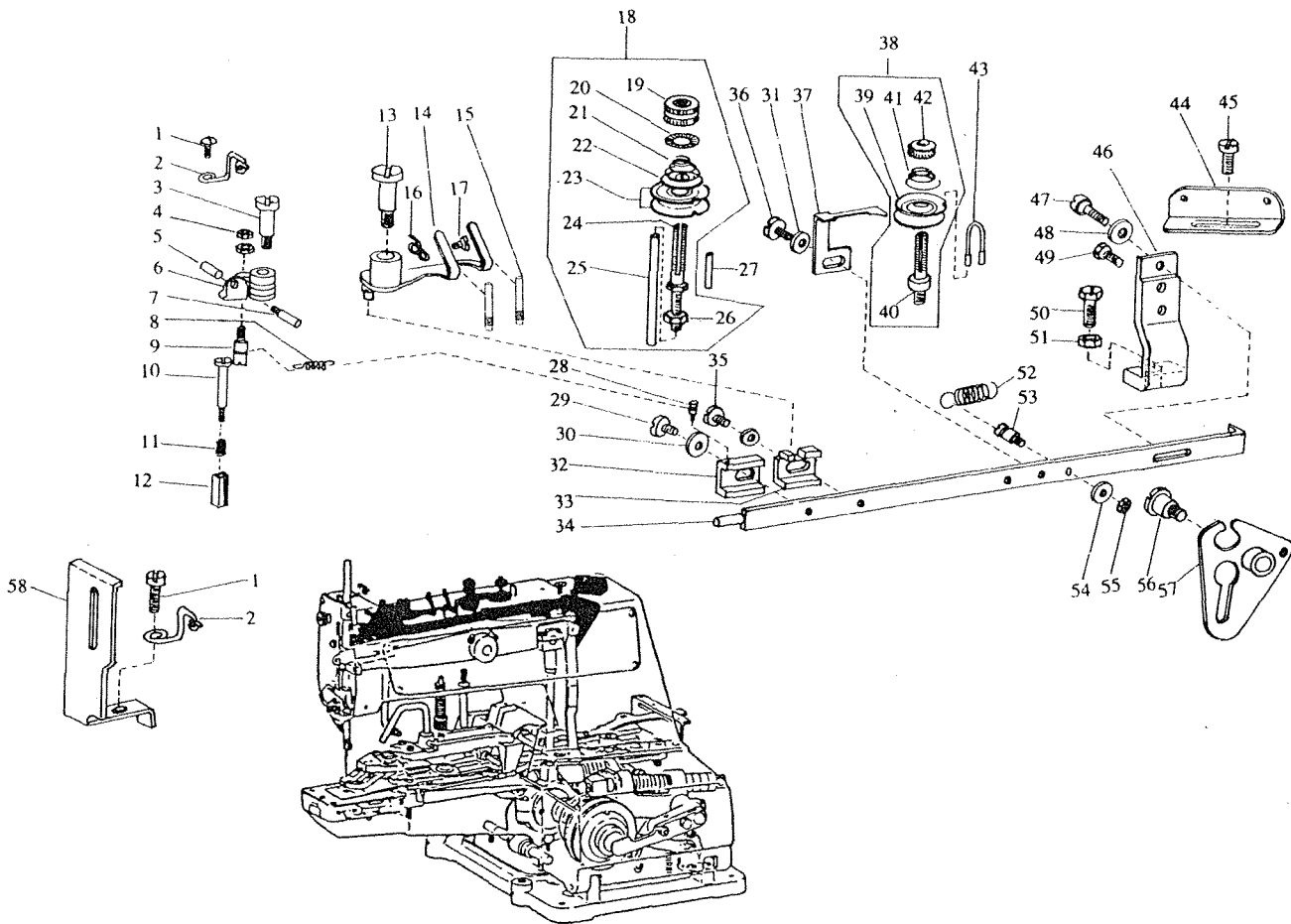
Ref. No.	Part No.	Description	Amt Req.	Ref. No.	Part No.	Description	Amt. Req.
1	B-372-235	Machine arm front cover assembly	1	25	B-372-257	Screw, for oil felt	2
2	B-372-236	Screw; for front cover	3	26	B-372-258	Oil felt assembly, small	1
3	B-372-236	Thread guide No. 3 Screw	1	27	B-372-259	Oil wick	1
4	B-372-237	Nipper releasing plunger spring	1	28	B-372-260	Screw, for oil supply felt	2
5	B-372-238	Nipper releasing plunger knurled thumb nut	1	29	B-372-261	Oil supply felt, for worm gear	1
6	B-372-239	Thread tension guide No. 3 assembly	1	30	B-372-262	Stop motion & pulley cover spring	2
7	B-372-240	... Disc	2	31	B-372-263	... Screw	2
8	B-372-241	... Spring	1	32	B-372-264	... Screw stud	2
9	B-372-242	... Thrust washer	1	33	B-372-265	Oil drip felt	1
10	B-372-243	Screw, for thread guide No. 4	1	34	B-372-266	Stop motion & pulley cover, right	1
11	B-372-244	Thread guide No. 4	1	35	B-372-267	Stop motion & pulley cover hinge shaft	2
12	B-372-245	Thread guide No. 3	1	36	B-372-268	... Screw right	1
13	B-372-246	Nipper releasing plunger	1	37	B-372-269	Machine sub-base	1
14	B-372-247	Machine arm	1	38	B-372-223	Screw, for hinge shaft, left	2
15	B-372-236	Screw, for side cover	8	39	B-372-270	Cover, left	1
16	B-372-248	Machine arm side cover; left	1	40	B-372-271	Machine base swing cover	1
17	B-372-249	Machine arm side cover, right	1	41	B-372-272	... Washer	1
18	B-372-250	Connecting screw (A), for machine arm & bed	2	42	B-372-273	... Screw	1
19	B-372-251	Connecting screw (B), for machine arm & bed	2	43	B-372-274	Machine bed	1
20	B-372-252	Oil supply tube, copper	2	44	B-372-275	Oil supply tube, for oil reservoir	1
21	B-372-253	Guide pin, for machine arm & bed	2	45	B-372-276	Safety plate asm.	1
22	B-372-254	Set screw assembly, for machine arm & bed	1	46	B-372-277	Safety plate	1
23	B-372-255	Oil felt assembly, large	1	47	B-372-278	... Screw	2
24	B-372-256	Oil wick	3	48	B-372-279	... Installing plate	1
				49	B-372-280	... Hinge screw	1
				50	B-372-281	... Spring washer	1
				51	B-372-282	... Washer	1
				52	B-372-283	... Installing base	1
				53	B-372-284	... Stopper pin	1

3. NEEDLE DRIVING PULLEY SHAFT MECHANISM COMPONENTS



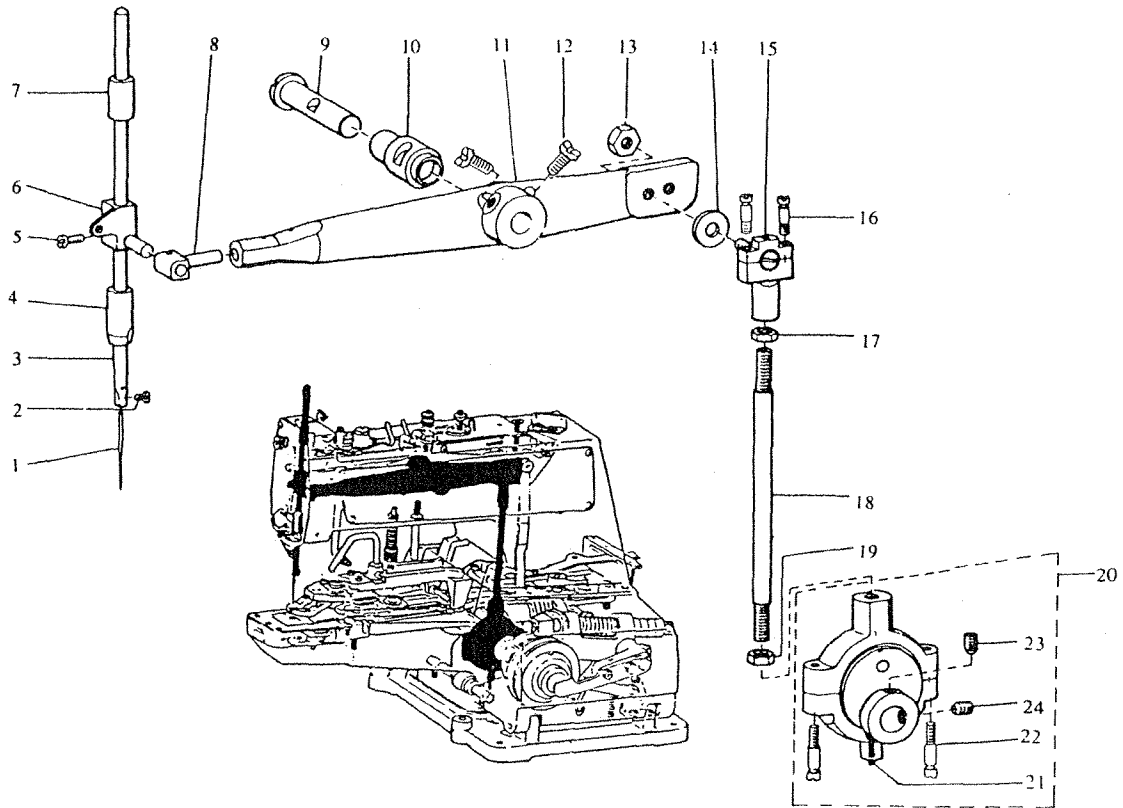
Ref. No.	Part No.	Description	Amt Req.	Ref. No.	Part No.	Description	Amt. Req.
1	B-372-285	Ball, large	1	16	B-372-299	Eccentric washer	1
2	B-372-286	Pulley insert	1	17	B-372-300	Nut, for clutch disc	2
3	B-372-287	Ball, small	1	18	B-372-301	Ball bearing	1
4	B-372-288	Spring	1	19	B-372-223	Set screw, for pulley shaft bushing	2
5	B-372-289	Needle driving pulley	1	20	B-372-302	Pulley shaft bushing, right	1
6	B-372-290	Set screw, for pulley insert	2	21	B-372-303	Stop motion disc pawl (A)	1
7	B-372-268	Plug screw	1	22	B-372-304	Stop motion disc latch (B)	1
8	B-372-291	Needle bearing	2	23	B-372-305	... Screw	2
9	B-372-292	Grease retaining wick	1	24	B-372-300	... Nut	2
10	B-372-293	... Retaining washer	1	25	B-372-306	Pulley shaft bushing, left	1
11	B-372-294	Screw, for pulley clutch disc	2	26	B-372-307	Driving gear (A)	1
12	B-372-295	Needle driving pulley clutch disc	1	27	B-372-228	Set screw	2
13	B-372-296	Stop motion disc asm.	1	*28	B-372-308	Needle driving pulley shaft	1
14	B-372-297	... Set screw (B)	3				
15	B-372-298	... Spot screw (A)	1				

4. NIPPER & THREAD HANDLING PARTS COMPONENTS



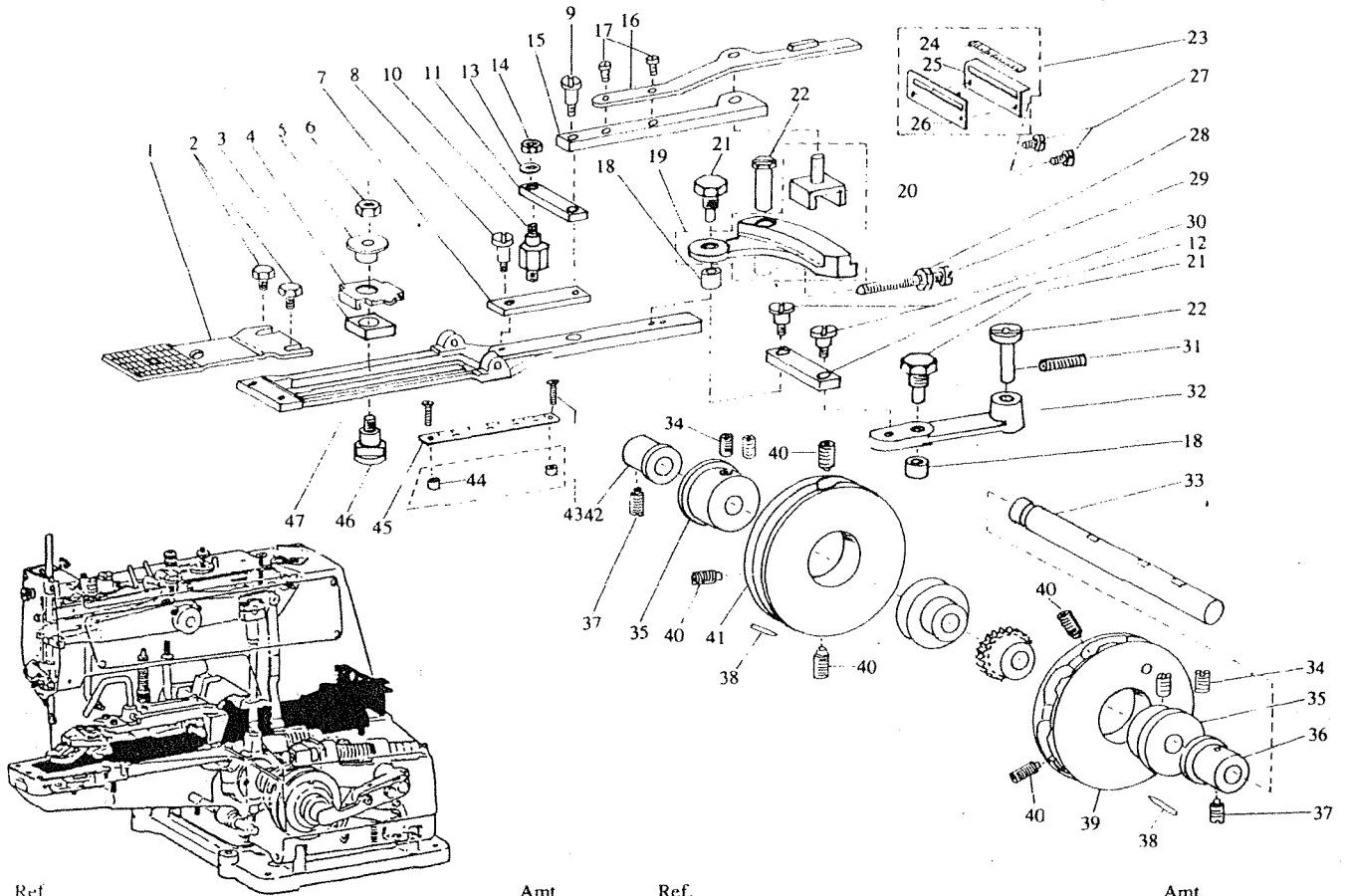
Ref. No.	Part No.	Description	Amt Req.	Ref. No.	Part No.	Description	Amt. Req.
1	B-372-309	Screw, for thread guide No. 2	1	30	B-372-335	... Washer	2
2	B-372-310	Thread guide No. 2	1	31	B-372-335	... Washer	1
3	B-372-311	Screw stud, for thread nipper	1	32	B-372-336	Nipper bar block	1
4	B-372-312	Nut, for spring screw	2	33	B-372-337	Nipper bar block, rear	1
5	B-372-313	Nut, for thread releasing screw stud	1	34	B-372-338	Nipper bar	1
6	B-372-314	Thread nipper assembly	1	35	B-372-339	Screw, for nipper bar block, rear	1
7	B-372-315	Thread releasing screw stud	1	36	B-372-339	Screw, for thread tension releasing lever	1
8	B-372-316	Nipper bar block spring	1	37	B-372-340	Thread tension releasing lever	1
9	B-372-317	Nipper bar block spring screw	1	38	B-372-341	Tension post No. 1 asm.	1
10	B-372-318	Screw stud, for nipper block	1	39	B-372-328	... Tension disc	2
11	B-372-319	Nipper block spring	1	40	B-372-342	Thread tension staff, No. 1	1
12	B-372-320	Nipper block	1	41	B-372-343	... Tension spring	1
13	B-372-321	Bearing screw, for thread pull-off lever	1	42	B-372-344	... Adjusting nut	1
14	B-372-322	Thread pull-off lever assembly	1	43	B-372-345	... Thread guide	1
15	B-372-323	L shaped thread guide	2	44	B-372-346	Thread guide No. 1	1
16	B-372-551	... Thread guide	1	45	B-372-347	Screw	1
17	B-372-552	Screw	1	46	B-372-348	Nipper bar bearing block	1
18	B-372-324	Tension post No. 2 asm.	1	47	B-372-349	... Adjusting screw	1
19	B-372-325	Adjusting nut, for thread nipper shaft No. 2	1	48	B-372-350	Washer	1
20	B-372-553	... Stopper	1	49	B-372-352	Screw	1
21	B-372-326	Tension spring, for No. 2	1	50	B-372-353	Screw	1
22	B-372-327	Tension lifting washer, for No. 2	1	51	B-372-469	Nut	1
23	B-372-328	Tension disc, for No. 2	2	52	B-372-354	Nipper bar spring	1
24	B-372-329	Thread nipper shaft No. 2	1	53	B-372-355	Nipper bar spring screw	1
25	B-372-330	Tension release pin	1	54	B-372-351	Washer	1
26	B-372-331	Nut, for staff No. 2	1	55	B-372-356	... Nut	1
27	B-372-332	Tension disc pin, for No. 2	1	56	B-372-357	Screw stud, for actuating lever	1
28	B-372-333	Nipper bar block spring pin	1	57	B-372-358	Nipper bar actuating lever assembly	1
29	B-372-334	Screw, for nipper bar block	1	58	B-372-359	Needle bar guard	1
				59	B-372-723	Screw	1

5. NEEDLE BAR DRIVING MECHANISM COMPONENTS



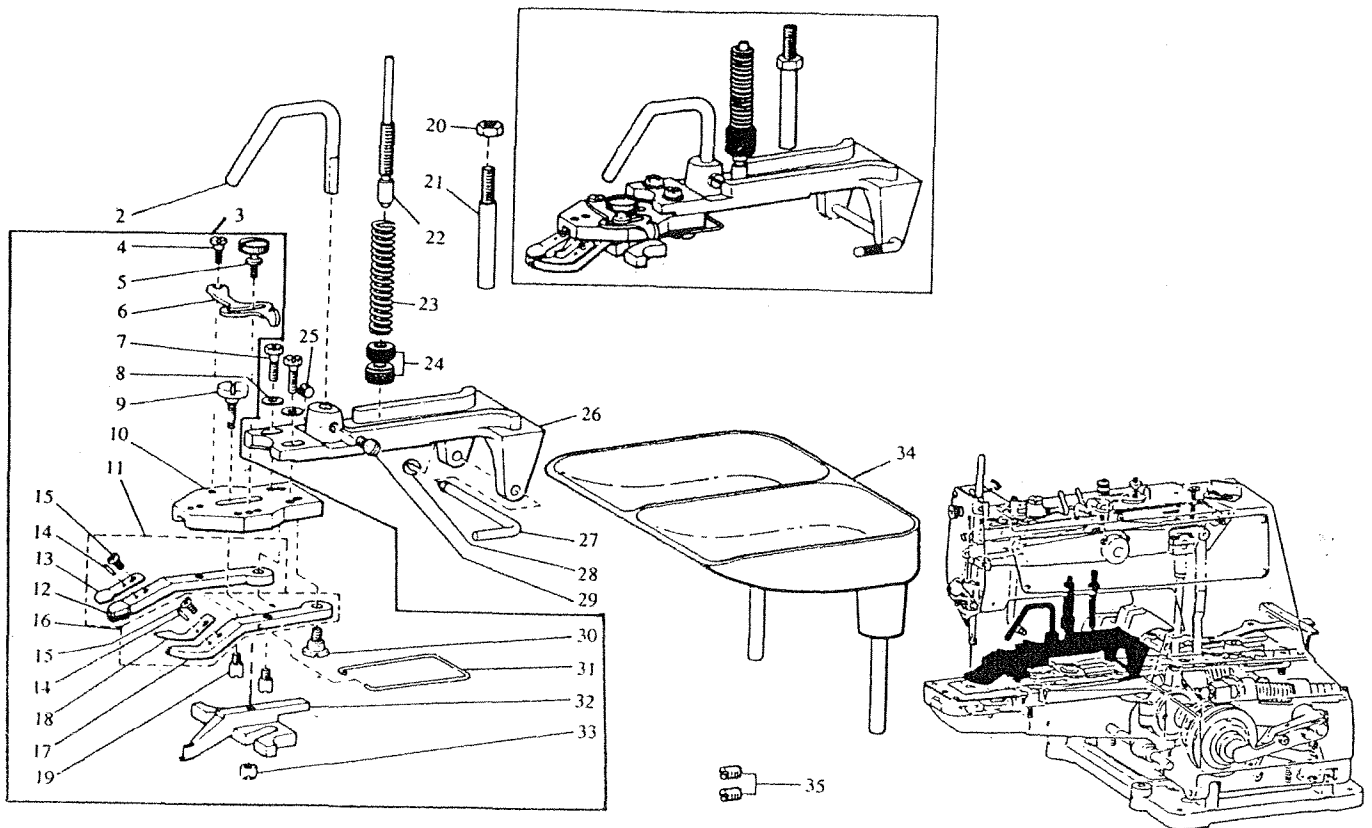
Ref. No.	Part No.	Description	Amt. Req.	Ref. No.	Part No.	Description	Amt. Req.
1	Cat 2852-0	Needle TQ×1, TQ×7, 175×7, #16	1	15	B-372-373	Ball joint, upper assembly	1
2	B-372-360	... Set screw	1	16	B-372-374	... Clamp screw	2
3	B-372-361	Needle bar	1	17	B-372-375	Nut, for connecting rod, upper	1
4	B-372-362	Needle bar lower bushing	1	18	B-372-376	Needle bar lever connecting rod	1
5	B-372-363	Screw, for bearing block clamp & thread guide	1	19	B-372-377	... Nut lower,	1
6	B-372-364	Needle bar bearing block clamp and thread guide	1	20	B-372-378	Ball joint, eccentric asm.	1
7	B-372-365	Needle bar upper bushing	1	21	B-372-379	... Oil wick	1
8	B-372-366	Needle bar bearing block	1	22	B-372-380	... Clamp screw, lower	2
9	B-372-367	Button clamp lifting lever shaft	1	23	B-372-381	... Spot screw	1
10	B-372-368	Button clamp lifting lever shaft bushing	1	24	B-372-228	... Set screw	1
11	B-372-369	Needle bar lever	1				
12	B-372-370	... Set screw	2				
13	B-372-371	Nut, for ball joint pin, upper	1				
14	B-372-372	... Washer	1				

6. FEED PLATE & BUTTON CLAMP POSITIONING PARTS COMPONENTS



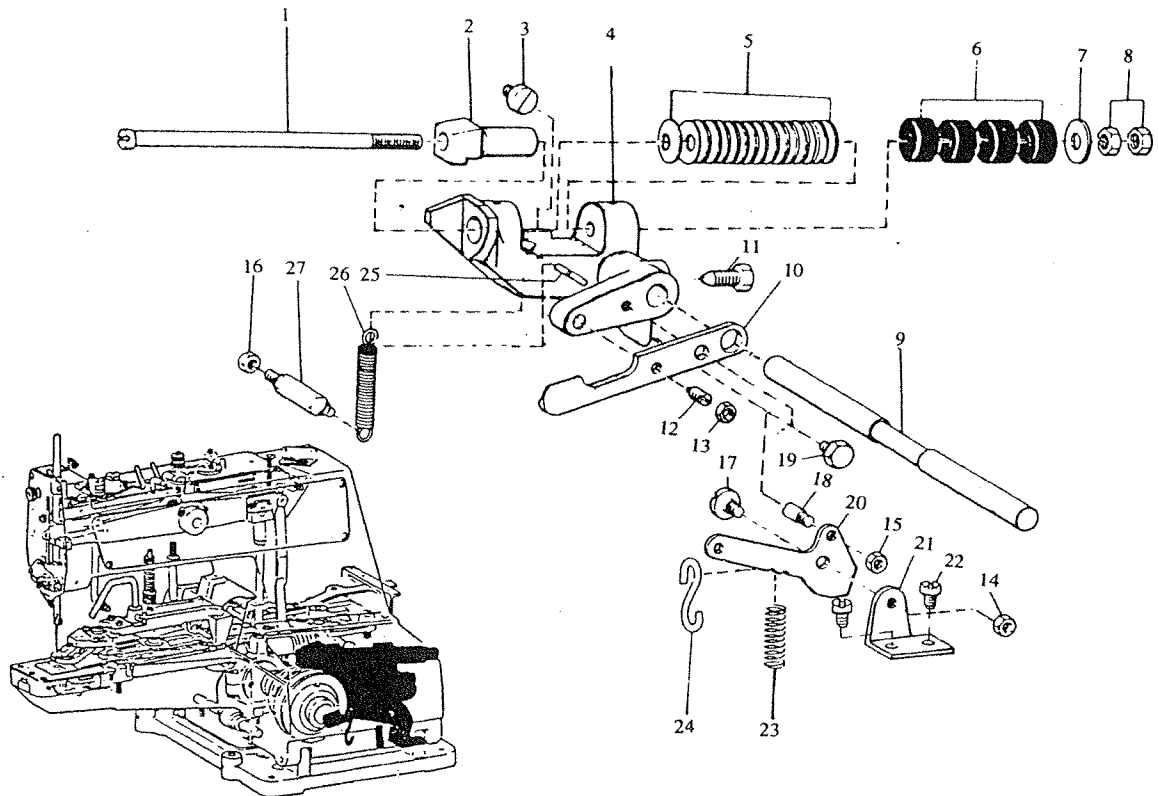
Ref. No.	Part No.	Description	Amt. Req.	Ref. No.	Part No.	Description	Amt. Req.
* 1	B-372-382	Feed plate, for small button	1	24	B-372-401	Lengthwise feed graduated plate	1
2	B-372-383	... Screw	2	25	B-372-402	Lengthwise feed graduated plate base	1
3	B-372-384	Indicator pin bearing block	1	26	B-372-403	Stopper	1
4	B-372-385	Crosswise feed indicator	1	27	B-372-404	... Screw	2
5	B-372-386	Crosswise feed indicator pin	1	28	B-372-405	Nut, for lever pin set screw	1
6	B-372-331	... Nut	1	29	B-372-406	Set screw, for lengthwise feed lever pin	1
7	B-372-387	Slide plate connecting link	1	30	B-372-407	Hinge screw, for connecting link	2
8	B-372-388	... Hinge screw	1	31	B-372-408	Screw, for crosswise feed lever pin	1
9	B-372-388	... Hinge screw	1	32	B-372-409	Crosswise feed lever	1
10	B-372-389	... Stud	1	33	B-372-410	Camshaft	1
11	B-372-390	... Intermediate connecting link	1	34	B-372-411	Screw, for cam boss	4
12	B-372-390	Crosswise feed lever connecting link	1	35	B-372-412	Cam boss	2
13	B-372-335	... Washer	1	36	B-372-413	Camshaft bushing, right	1
14	B-372-391	... Nut	1	37	B-372-223	Set screw, for bushing	2
15	B-372-392	Handle & indicator spring connecting link	1	38	B-372-414	Cam indicating pin	2
16	B-372-393	Handle & indicator spring	1	*39	B-372-415	Crosswise feed cam	1
17	B-372-394	... Screw	2	40	B-372-416	... Set screw	5
18	B-372-395	Cam roll	2	*41	B-372-417	Lengthwise feed cam	1
19	B-372-396	Lengthwise feed lever assembly	1	42	B-372-418	Camshaft bushing, left	1
20	B-372-397	Lengthwise feed lever slide block	1	43	B-372-419	Screw, for graduated plate	2
21	B-372-398	Cam roll screw stud	2	44	B-372-420	Crosswise feed graduated plate base	2
22	B-372-399	Lever pin	2	45	B-372-421	Crosswise feed graduated plate	1
23	B-372-400	Lengthwise feed graduated plate asm.	1	46	B-372-422	Hinge screw, for crosswise feed	1
				*47	B-372-423	Slide plate	1

7. BUTTON CLAMP MECHANISM COMPONENTS



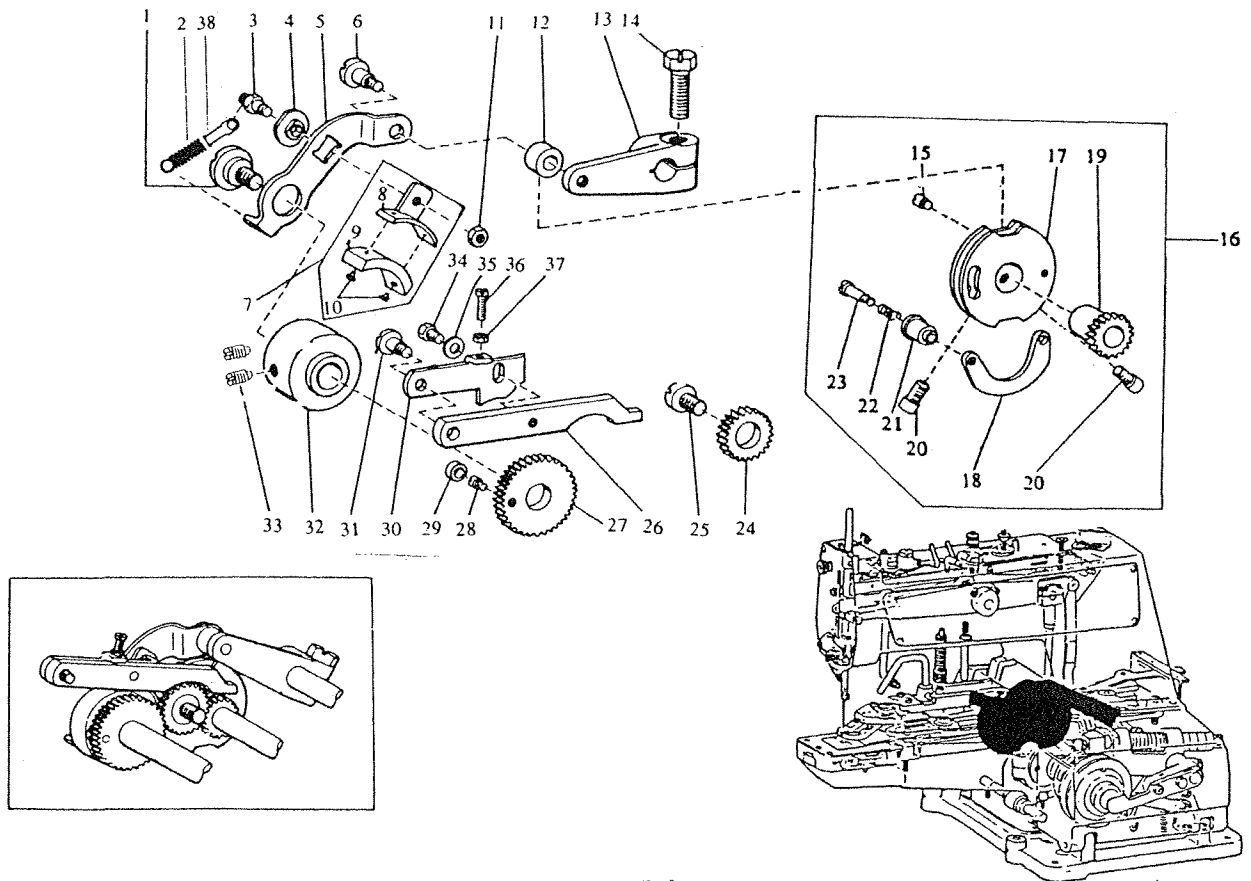
Ref. No.	Part No.	Description	Amt Req.	Ref. No.	Part No.	Description	Amt. Req.
1	B-372-424	Flat button clamp asm.	1	23	B-372-444	Button clamp pressure adjusting spring	1
2	B-372-425	Button clamp lifting rod	1	24	B-372-554	... Nut	2
3	B-372-426	Button clamp jaw lever holder asm.	1	25	B-372-445	Set screw (B), for lifting rod	1
4	B-372-427	Hinge screw (B), for jaw holder	1	26	B-372-446	Button clamp holder	1
5	B-372-428	Clamp screw (A), for stop lever	1	27	B-372-447	... Hinge pin	1
6	B-372-429	Button clamp stop lever	1	28	B-372-448	... Snap ring	1
7	B-372-430	Screw, for button clamp holder	2	29	B-372-449	Set screw (A), for lifting rod	1
8	B-372-335	... Washer	2	30	B-372-450	Hinge screw, for lever jaw	2
9	B-372-431	Hinge screw (A), for jaw holder	1	31	B-372-451	Button clamp spring	1
10	B-372-432	Button clamp lever jaw holder	1	32	B-372-452	Button clamp slide	1
11	B-372-433	Button clamp lever jaw, left, assembly	1	33	B-372-453	Nut, for jaw holder hinge screw (B)	1
12	B-372-434	Button clamp lever jaw, left	1	34	B-372-454	Button tray asm.	1
13	B-372-435	Button holding spring, left	1	35	B-372-455	... Set screw	2
14	B-372-436	Button clamp locating pin	2				
15	B-372-437	Screw, for button holding spring	2				
16	B-372-438	Button clamp lever jaw, right, assembly	1				
17	B-372-439	Button clamp lever jaw, right	1				
18	B-372-440	Button holding spring, right	1				
19	B-372-441	Button clamp stop pin	1				
20	B-372-331	Nut	1				
21	B-372-442	Button clamp stopper pin	1				
22	B-372-443	... pressure adjusting bar	1				

8. STOP MOTION MECHANISM COMPONENTS



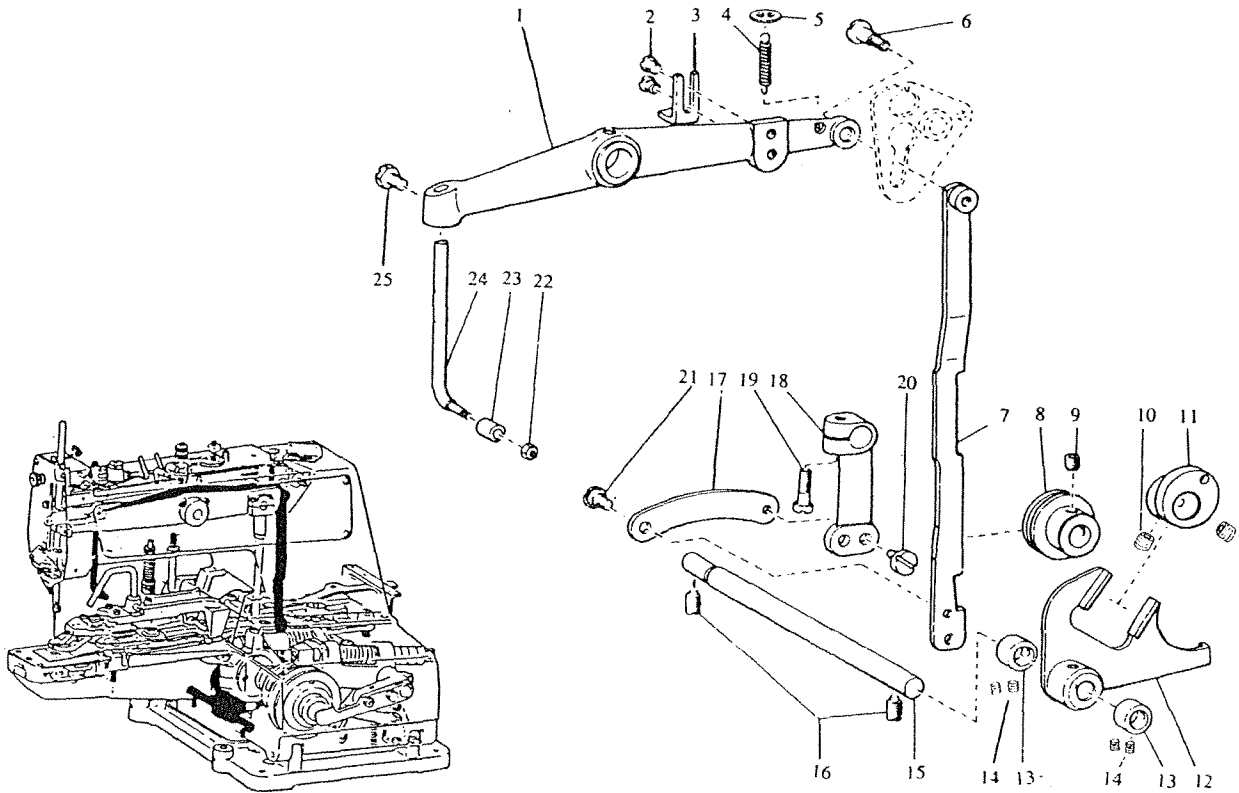
Ref. No.	Part No.	Description	Amt Req.	Ref. No.	Part No.	Description	Amt. Req.
1	B-372-456	Stop motion plunger rod	1	18	B-372-471	Stop screw, for stop motion trip lever	1
2	B-372-458	Stop motion plunger	1	19	B-372-472	Screw, for applying pressure lever	1
3	B-372-459	Screw, for stop motion plunger lever	1	20	B-372-473	Stop motion trip lever	1
4	B-372-460	Stop motion plunger lever	1	21	B-372-474	Stop motion trip lever bracket	1
5	B-372-461	Stop motion disc spring	30	22	B-372-475	... Screw	2
6	B-372-462	Rubber washer	4	23	B-372-476	Spring, for trip lever	1
7	B-372-463	... Washer	1	24	B-372-477	"S" chain hook	1
8	B-372-464	Adjusting nut, for disc spring	2	25	B-372-478	Stop motion lever restoring spring pin	1
9	B-372-465	Stop motion lever shaft	1	26	B-372-479	Stop motion lever restoring spring.	1
10	B-372-466	Stop motion disc applying pressure lever	1	27	B-372-480	Screw stud	1
11	B-372-467	Screw, for stop motion plunger lever	1				
12	B-372-468	Stop screw, for applying pressure lever	1				
13	B-372-469	... Nut	1				
14	B-372-469	... Nut	1				
15	B-372-469	... Nut	1				
16	B-372-469	... Nut	1				
17	B-372-470	Screw, for stop motion trip lever	1				

9. STITCH SELECTING PARTS COMPONENTS



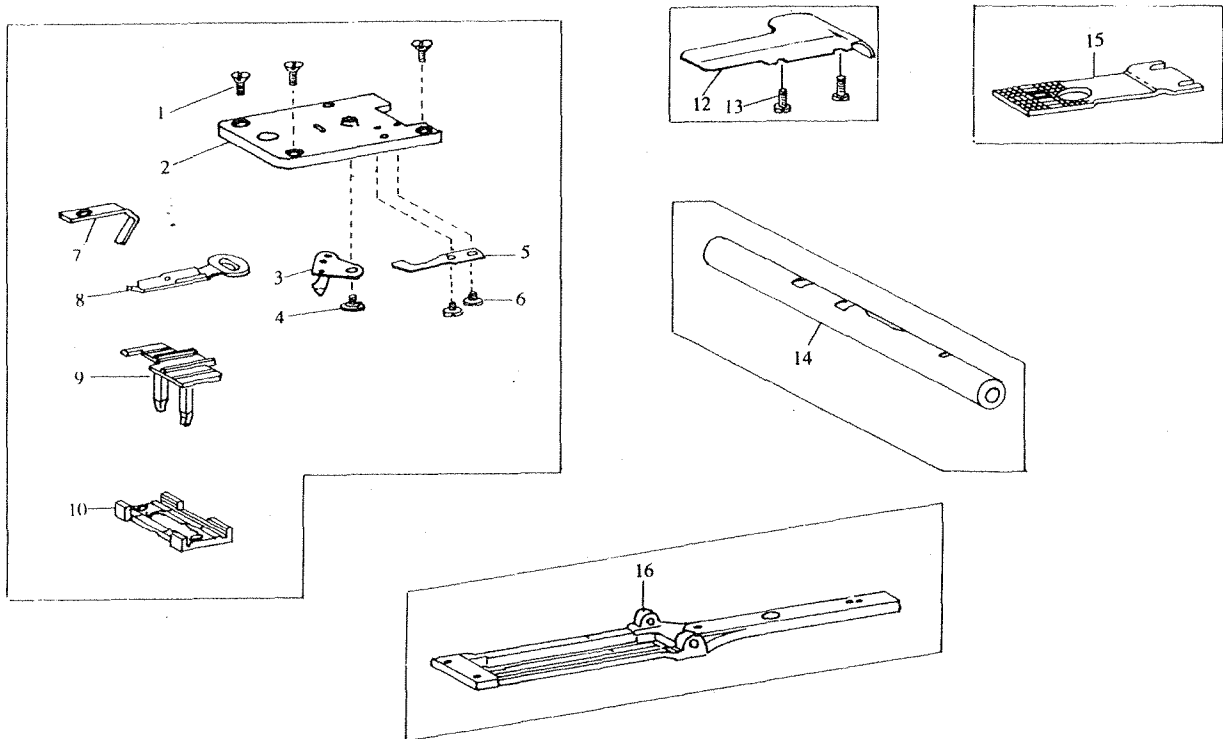
Ref. No.	Part No.	Description	Amt. Req.	Ref. No.	Part No.	Description	Amt. Req.
1	B-372-481	Screw, for speed slowing lever	1	27	B-372-507	Stitch selecting spur gear	1
2	B-372-482	Spring, for friction plate	1	28	B-372-508	... Screw	1
3	B-372-483	Friction plate rotating stud	1	29	B-372-509	Roll	1
4	B-372-484	Friction wheel slide block	1	30	B-372-510	Stitch selecting latch	1
5	B-372-485	Speed slowing lever	1	31	B-372-388	... Screw	1
6	B-372-486	Hinge screw, for tripping lever cam roll	1	32	B-372-511	Speed slowing friction wheel	1
7	B-372-487	Friction plate holder asm.	1	33	B-372-512	... Set screw	2
8	B-372-488	Friction plate holder	1	34	B-372-513	Connecting screw, for latch and lever	1
9	B-372-489	Speed slowing friction plate	1	35	B-372-335	... Washer	1
10	B-372-490	... Set pin	2	36	B-372-514	Stop screw, for latch	1
11	B-372-491	Nut, for friction plate holder	1	37	B-372-312	... Nut	1
12	B-372-492	Stop motion tripping lever cam roll	1	38	B-372-724	Adjusting lever for spring	1
13	B-372-493	Stop motion tripping lever	1				
14	B-372-494	... Clamp screw	1				
15	B-372-495	Screw, for stop motion cam shoe	1				
16	B-372-496	Stop motion cam assembly	1				
17	B-372-497	Stop motion cam	1				
18	B-372-498	Stop motion cam shoe	1				
19	B-372-499	Stop motion gear	1				
20	B-372-500	Set screw, for cam	2				
21	B-372-501	Stop motion cam knob	1				
22	B-372-502	... Spring	1				
23	B-372-503	... Screw stud	2				
24	B-372-504	Stitch selecting spur gear, intermediate	1				
25	B-372-505	Screw stud	1				
26	B-372-506	Stitch selecting lever	1				

10. BUTTON CLAMP LIFTER COMPONENTS



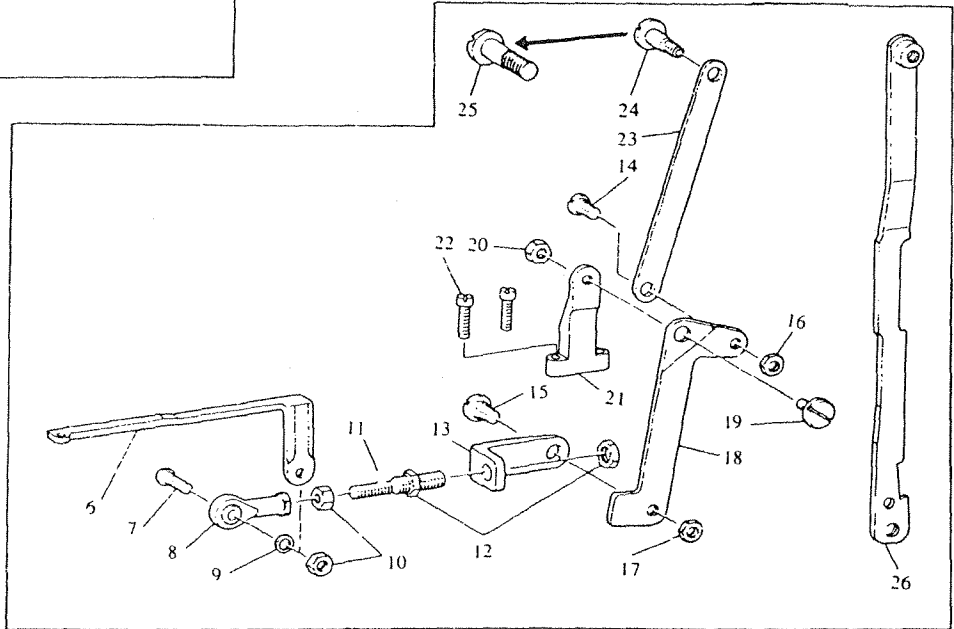
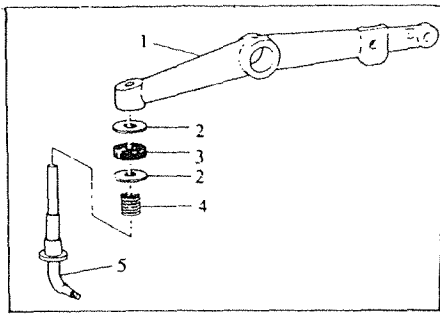
Ref. No.	Part No.	Description	Amt Req.
* 1	B-372-515	Button clamp lifting lever	1
* 2	B-372-516	Screw, for lever stop	2
* 3	B-372-517	Button clamp lifting lever stop	1
4	B-372-518	Nipper bar actuating lever spring	1
5	B-372-519	... Washer	1
* 6	B-372-520	... Hinge screw	1
* 7	B-372-521	Button clamp lifting link	1
8	B-372-522	... Sliding roller	1
9	B-372-228	... Set screw	1
10	B-372-228	... Set screw	2
11	B-372-523	Button clamp lifting link lever driving eccentric	1
12	B-372-524	Lever engaging button clamp lifting link	1
13	B-372-525	... Thrust collar	2
14	B-372-217	... Set screw	4
15	B-372-526	... Lever shaft	1
16	B-372-223	... Set screw	2
17	B-372-527	Button clamp lifting link connecting link	1
18	B-372-528	Engaging button clamp lifting link lever	1
19	B-372-529	... Screw	1
20	B-372-530	... Hinge screw	1
21	B-372-531	Hinge screw, for connecting link	1
22	B-372-532	Nut, for button clamp lifting rod	1
23	B-372-533	Button clamp lifting rod roll	1
* 24	B-372-534	Button clamp lifting rod	1
25	B-372-535	... Set screw	1

11. PARTS FOR TK-373



Ref. No.	Part No.	Description	Amt Req.
1	B-372-201	Screw	3
** 2	B-373-536	Throat plate asm.	1
** 3	B-373-537	Moving knife asm.	1
** 4	B-373-538	Hinge screw	1
** 5	B-373-539	Fixed knife	1
** 6	B-373-541	Screw	2
** 7	B-373-542	Needle guide	1
** 8	B-373-543	Yoke slide	1
** 9	B-373-544	Positioning finger yoke slide	1
**10	B-373-545	Yoke slide insert	1
**11	B-373-546	Bed oil shield	1
**12	B-373-547	Screw	2
**13	B-373-548	Needle driving pulley shaft	1
**14	B-373-549	Feed plate	1
**15	B-373-550	Slide plate	1

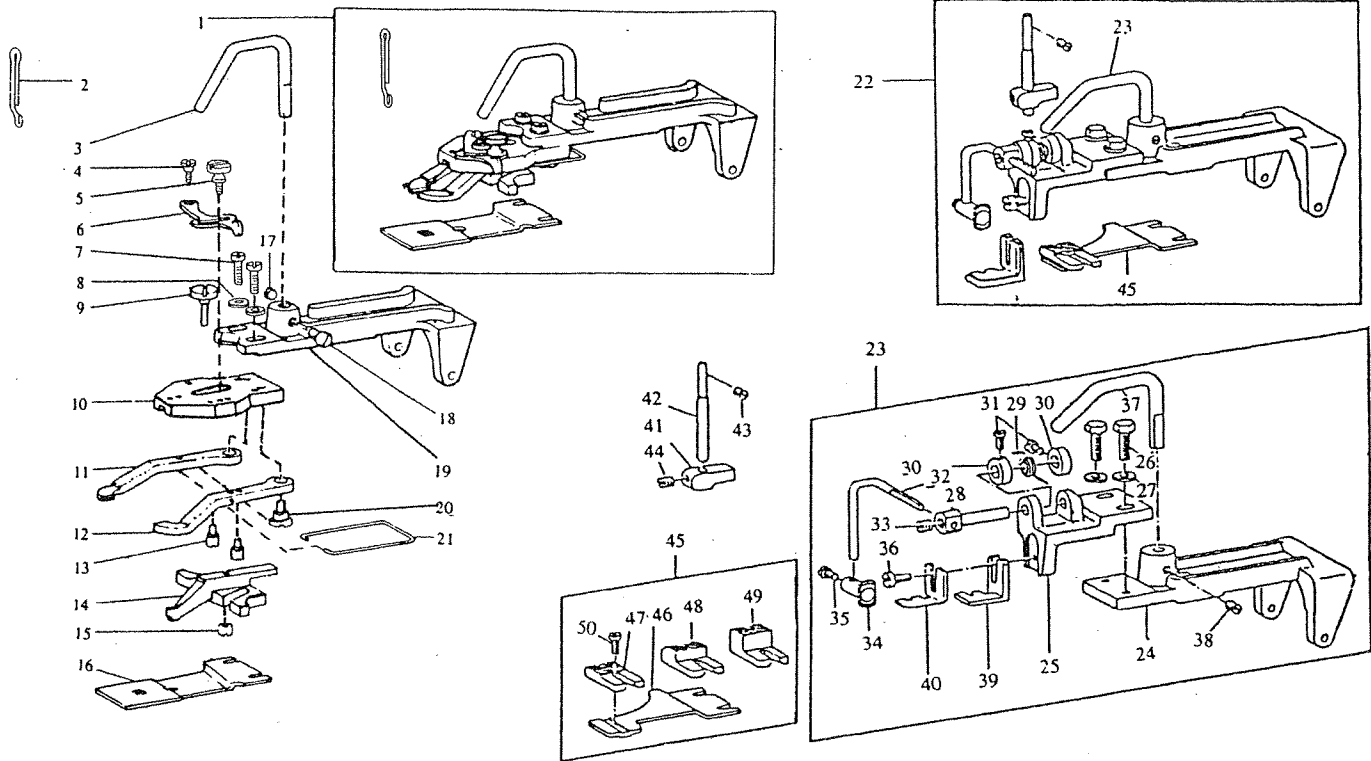
12. PARTS FOR TK-373



Ref. No.	Part No.	Description	Amt Req.
** 1	B-373-557	Button clamp lifting lever	1
** 2	B-373-463	Washer	2
** 3	B-373-558	Cushion	1
** 4	B-373-559	Spring	1
** 5	B-373-560	Button clamp lifting rod asm.	1
** 6	B-373-561	Thread trimming connecting link (FRONT)	1
** 7	B-373-562	Joint stud	1
** 8	B-373-563	Joint	1
** 9	B-373-564	Washer	1
**10	B-373-565	Nut	2
**11	B-373-566	Connecting screw	1
**12	B-373-375	Nut	2
**13	B-373-567	Thread trimming connecting link (REAR)	1
**14	B-373-568	Hinge screw	1
**15	B-373-569	Hinge screw	1
**16	B-373-570	Nut	1
**17	B-373-469	Nut	1
**18	B-373-571	Thread trimming lever	1
**19	B-373-572	Hinge screw	1
**20	B-373-573	Nut	1
**21	B-373-574	Thread trimming lever base	1
**22	B-373-575	Screw	2
**23	B-373-576	Thread trimming link	1
**24	B-373-577	Hinge screw	1
**25	B-373-578	Hinge screw	1
**26	B-373-579	Button clamp lifting link	1

UPDATED. 13. EXTRA ATTACHMENTS AVAILABLE

- (1) SNAP FASTENER CLAMP PARTS
- (2) SHANK BUTTON CLAMP PARTS

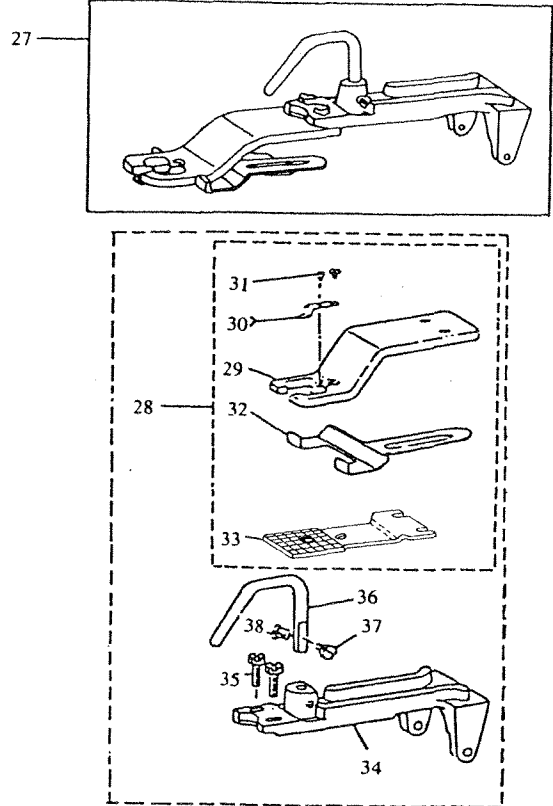
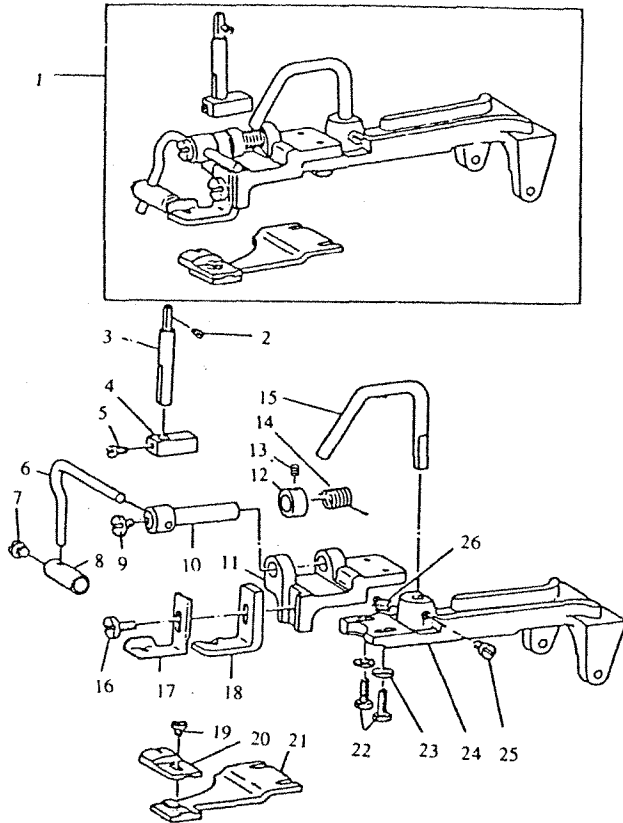


Ref No.	Part No.	Description	Amt Req.	Ref. No.	Part No.	Description	Req.
* 1	B-372-580	Snap fastener clamp, complete	1	* 22	B-372-587	Shank button clamp asm.	1
**	B-373-581	Snap fastener clamp, complete	1	**	B-373-588	Shank button clamp asm.	1
2	B-372-582	Thread guide No. 3, for snap fastener clamp	1	23	B-372-589	Shank button clamp (L) asm.	1
3	B-372-425	Snap fastener clamp lifting rod	1	24	B-372-590	Button clamp holder (L)	1
4	B-372-427	Screw (B), for snap fastener clamp stop lever	1	25	B-372-591	Button clamp bracket (L)	1
5	B-372-428	Clamp screw (A), for jaw lever holder	1	26	B-372-430	... Screw	2
6	B-372-429	Snap fastener clamp stop lever	1	27	B-372-335	... Washer	2
7	B-372-430	Screw, for jaw lever holder	2	28	B-372-592	Button clamp rotating shaft (L)	1
8	B-372-335	... Washer	2	29	B-372-593	... Spring (L)	1
9	B-372-431	Hinge screw, for jaw lever holder	1	30	B-372-594	Thrust collar (L)	2
10	B-372-432	Snap fastener clamp jaw lever holder	1	31	B-372-595	... Screw	2
11	B-372-583	Snap fastener clamp jaw lever, right	1	32	B-372-596	Button clamp lever (L)	1
12	B-372-584	Snap fastener clamp jaw lever, left	1	33	B-372-597	... Screw	1
13	B-372-441	... Bearing screw	2	34	B-372-598	Shank button holding clamp (L)	1
14	B-372-585	Snap fastener clamp slide	1	35	B-372-699	... Screw	1
15	B-372-453	Nut, for jaw lever holder hinge screw	1	36	B-372-600	Screw	1
*16	B-372-586	Snap fastener clamp feed plate	1	37	B-372-425	Button clamp lifting hook (L)	1
**	B-373-648	Snap fastener clamp feed plate	1	38	B-372-601	... Screw	1
17	B-372-445	Screw (B), for lifting rod	1	39	B-372-602	Shank button adapter (L)	1
18	B-372-449	Screw (A), for lifting rod	1	40	B-372-603	Shank button guard (L)	1
19	B-372-446	Snap fastener clamp holder	1	41	B-372-604	Button clamp block (L)	1
20	B-373-450	Hinge screw, for jaw lever	2	42	B-372-605	Button clamp stud (L)	1
21	B-372-451	Snap fastener clamp spring	1	43	B-372-606	Screw	1
				44	B-372-607	Screw	1
				* 45	B-372-608	Button clamp feed plate (L) asm.	1
				**	B-373-609	Button clamp feed plate (L) asm.	1
				* 46	B-372-610	Button clamp feed plate (L)	1
				**	B-373-611	Button clamp feed plate (L)	1
				47	B-372-612	Work support plate (L) (SMALL)	1
				48	B-372-613	Work support plate (L) (MIDDLE)	1
				49	B-372-614	Work support plate (L) (LARGE)	1
				50	B-372-615	... Screw	1

14. EXTRA ATTACHMENTS AVAILABLE

(3) METAL SHANK BUTTON CLAMP PARTS

(4) LABEL CLAMP PARTS

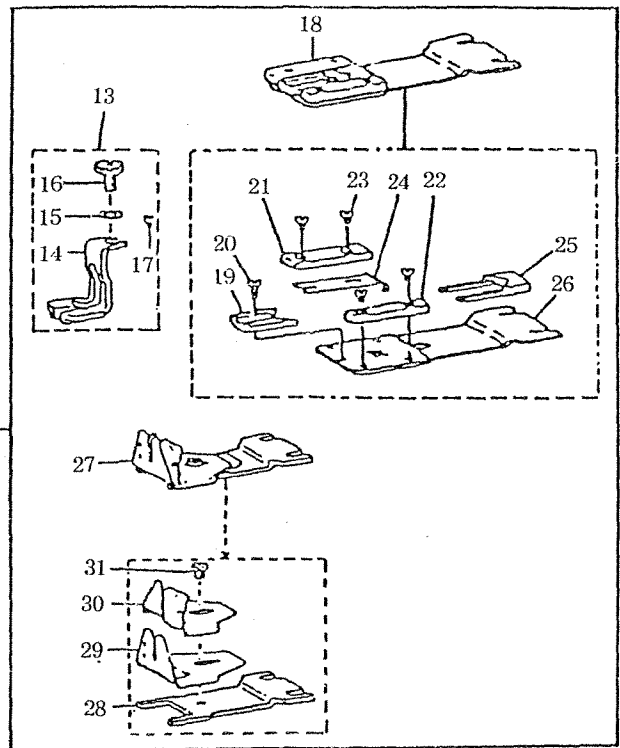
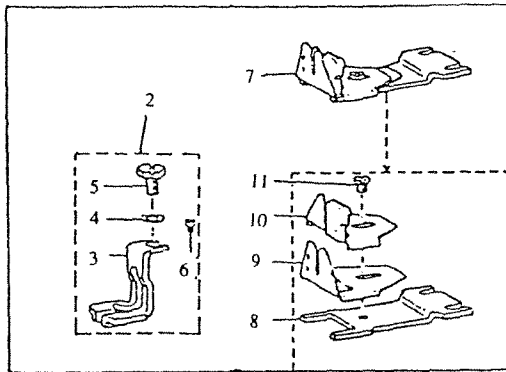


Ref. No.	Part No.	Description	Amt Req.
* 1	B-372-616	Metal button clamp asm.	1
**	B-373-617	Metal button clamp asm.	1
2	B-372-606	Screw	1
3	B-372-618	Button clamp stud	1
4	B-372-619	Button clamp block	1
5	B-372-620	Screw	1
6	B-372-621	Button clamp lever	1
7	B-372-622	Screw	1
8	B-372-623	Shank button holding clamp	1
9	B-372-624	Screw	1
10	B-372-625	Button clamp rotating shaft	1
11	B-372-626	Button clamp bracket	1
12	B-372-627	Thrust collar asm.	1
13	B-372-217	Screw	1
14	B-372-628	Rotating shaft spring	1
15	B-372-425	Button clamp lifting hook	1
16	B-372-629	Screw	1
17	B-372-630	Metal button guard	1
18	B-372-631	Metal button adapter	1
19	B-372-632	Screw	1
*20	B-372-633	Metal button work support plate	1
**	B-373-634	Metal button work support plate	1
*21	B-372-635	Button clamp feed plate	1
**	B-373-636	Button clamp feed plate	1
22	B-372-430	Screw	2
23	B-372-335	Washer	2
24	B-372-446	Button clamp holder	1
25	B-372-449	Screw (A)	1
26	B-372-637	Screw	1

Ref. No.	Part No.	Description	Amt. Req.
* 27	B-372-638	Label clamp asm.	1
**	B-373-639	Label clamp asm.	1
* 28	B-372-640	Clamp asm. for label	1
**	B-373-641	Clamp asm. for label	1
29	B-372-642	Clamp for label	1
30	B-372-643	Clamp spring	1
31	B-372-644	Screw	2
32	B-372-645	Stopper	1
* 33	B-372-646	Feed plate	1
**	B-373-647	Feed plate	1
34	B-372-446	Button clamp holder	1
35	B-372-430	Screw	2
36	B-372-425	Button clamp lifting hook	1
37	B-372-449	Screw (A)	1
38	B-372-649	Screw	1

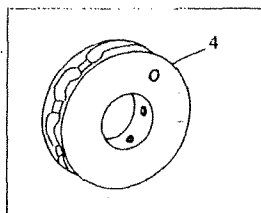
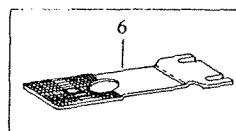
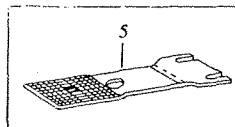
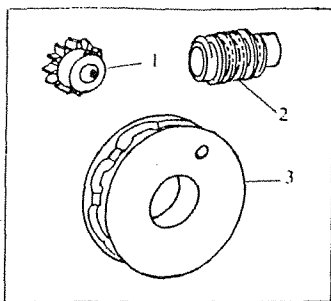
15. EXTRA ATTACHMENTS AVAILABLE

- (5) WRAPPED-AROUND BUTTON CLAMP PARTS
- (6) REINFORCING STAY BUTTON CLAMP PARTS



Ref. No.	Part No.	Description	Amt Req.	Ref. No.	Part No.	Description	Amt. Req.
* 1	B-372-650	Wrapped-around button clamp complete	1	* 12	B-372-706	Reinforcing stay button clamp complete.	1
**	B-373-651	Wrapped-around button clamp complete	1	**	B-373-707	Reinforcing stay button clamp complete.	1
2	B-372-652	Wrapped-around button foot asm.	1	13	B-372-652	Wrapped-around button foot asm	1
3	B-372-653	Wrapped-around button foot	1	14	B-372-653	Wrapped-around button foot	1
4	B-372-654	... Washer	1	15	B-372-654	...Washer	1
5	B-372-655	... Screw	1	16	B-372-655	...Screw	1
6	B-372-656	... Guide pin	1	17	B-372-656	...Guide pin	1
* 7	B-372-657	Wrapped-around button clamp asm.	1	* 18	B-372-663	Feed plate asm. reinforcing-stay button	1
**	B-373-658	Wrapped-around button clamp asm.	1	**	B-373-664	Feed plate asm. reinforcing-stay button	1
* 8	B-372-659	... Feed plate	1	19	B-372-665	...Holder (B)	1
**	B-373-660	... Feed plate	1	20	B-372-666	...Screw	1
9	B-372-661	... Guide (LARGE) asm.	1	21	B-372-667	...Guide (B)	1
10	B-372-662	... Guide (MIDDLE) asm.	1	22	B-372-668	...Guide (A)	1
11	B-372-632	... Screw	1	23	B-372-669	...Screw	1
				24	B-372-670	Presser spring	1
				25	B-372-671	...Holder (A)	1
				* 26	B-372-672	...Feed plate	1
				**	B-373-673	...Feed plate	1
				* 27	B-372-657	Wrapped-around button clamp asm.	1
				**	B-373-658	Wrapped-around button clamp asm.	1
				* 28	B-372-659	...Feed plate	1
				**	B-373-660	...Feed plate	1
				29	B-372-661	...Guide (LARGE) asm.	1
				30	B-372-662	...Guide (MIDDLE) asm.	1
				31	B-372-632	...Screw	1

16. PARTS AVAILABLE AT EXTRA CHARGE



Ref. No.	Part No.	Description	Amt Req.
1	B-372-674	Worm gear, 6, 12, 24 stitches	1
2	B-372-675	... Worm	1
3	B-372-676	... Crosswise feed cam, □-shape	1
4	B-372-677	Lengthwise feed cam, X-shape, 8, 16, 32	1
*5	B-372-678	Feed plate, middle button (FOR TK-372)	1
**	B-373-679	Feed plate, middle button (FOR TK-373)	1
*6	B-372-680	Feed plate, large button (FOR TK-372)	1
**	B-373-681	Feed plate, large button (FOR TK-373)	1

Consolidated Sewing Machine Corp.

MAIN OFFICE

131 West 25th Street
New York, NY 10001
Tel: (212) 741-7788
Fax: (212) 741-7787

BRANCH OFFICE

7855 NW 29th Street, Bay 166
Miami, FL 33122
Tel: (305) 471-0200
Fax: (305) 471-0243